

JR101-CB-SIP

Weatherproof Telephone



The JR100 series telephones are fully contained within a corrosion-resistant cast aluminium weatherproof case with a door, providing complete protection against dust and moisture ingress, resulting in a highly reliable product with a long MTBF.

The unique robust handset is manufactured from moulded Bulk Moulding Compound and designed specifically to withstand arduous use in all environments, including an armoured cord to provide additional resistance to vandalism or heavy industrial use.

The JR100 series Weatherproof Telephones are designed for use by railways, power stations, armed services and heavy industries which require very reliable telephony under adverse conditions.



TDM Middle East LLC
Regional Office: ADAFZ, Abu Dhabi, UAE
Headquarters: Crawley, UK, RH10 9PD

www.tdm-middle-east.com

info@tdm-middle-east.com

Features:

- Analogue/SIP phone with door
- 42CM vandal-resistant handset and cord
- Standard IP 66 weatherproof rating
- Inductive coupler built-in
- Programmable for auto-dial
- Phone line powered (Analogue)
- POE or DC12V powered (SIP)
- RJ45 port for SIP connection
- on wall mounting with mounting bar
- CE,FCC,IK10,IP67,ISO9001 compliant

SIP/VoIP Protocol

- Power: 12V DC or PoE: IEEE802.3af/at
- Port:
 - WAN: 10/100Base- T RJ-45 for LAN, Auto MDIX
 - LAN: 10/100Base- T RJ-45 for PC, Auto MDIX
- Power Consumption: Idle:1.5W/ Active:1.8W

Voice Features

- Support SIP 2.0 (RFC3261)
- Codec: G.711A/u, G.7231 high/low, G.729, G.722
- Echo cancellation: Support G.168 and hand-free can support 96ms
- Supports full duplex
- SIP support SIP domain, SIP authentication(none, basic,MD5),DNS name of server
- DTMF:SIP info, DTMF Relay,RFC2833
- Call control feature: Flexible dial map, support hot-line

Network Features

- WAN/LAN: support Bridge mode
- Support static IP address
- Support DHCP get IP on WAN port
- Support VLAN
- Support web config
- Data Protocols: IPv4, TCP, UDP, ICMP, ARP, DNS and DNS SRV for SIP Signalling

Technical Specifications

Casing Material

- Die cast aluminium, epoxy powder coated.
- Colours: Yellow, other colours to special order

Handset Material

- Cyclopedia with stainless steel spiral cord

Keypad:

- Rubber Keypad



TDM Middle East LLC
Regional Office: ADAFZ, Abu Dhabi, UAE
Headquarters: Crawley, UK, RH10 9PD

Temperature

- Operating: -30°C to +65°C
- Storing: -40°C to +75°C

Weather Resistance

- IP66(standard)~ IP67(highest rating)

Ringtone

- Shrill warble tone 80 dBA @ 1 metre typical (Analog)
- Shrill warble tone 90 dBA @ 1 metre typical (SIP)

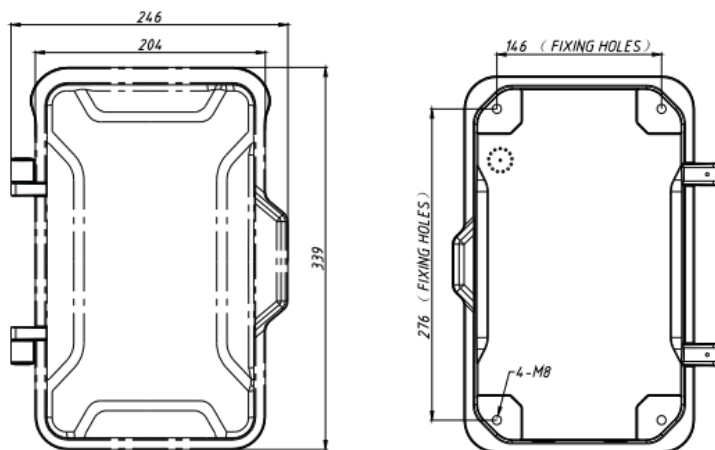
Hook switch

- Electronic / magnetic with no visible moving parts

M.T.B.F.

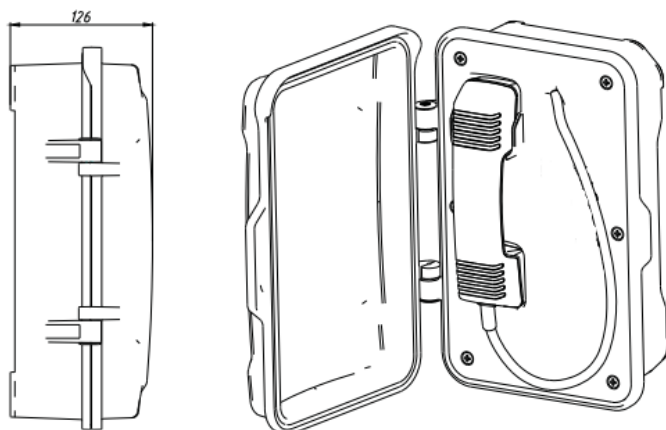
- Calculated to have an M.T.B.F. in excess of 50,000 hours using

Dimensions



Package

- unit size: 246 *339 *126 (mm)
- Carton size:200*300*440 (mm)
- Packaging materials: pearl cotton, carton
- Gross weight: 7KG
- Net weight: 6KG



TDM Middle East LLC
Regional Office: ADAFZ, Abu Dhabi, UAE
Headquarters: Crawley, UK, RH10 9PD