

JR213-FK-SIP

SIP Video Telephone



The SIP Video telephone with a 7" screen and built-in camera was designed to meet the needs of clients to prevent vandalism. Ideal for Prisons, metro or railway platforms, parking lots, hospitals, police stations, ATM machines, stadiums, public areas, and others.

Housed in stainless steel, wire-drawing technology is manufactured to a high standard that allows for wall mounting and easy installation. We will also provide the related installation tools and security screws that allow for the cable entry holes behind the phone to store the cable and power line behind the shell. These SIP video telephones offer increased resistance to vandalism and ensure that the primary function of communications is always maintained.



TDM Middle East LLC
ADAFZ, Abu Dhabi, UAE

www.tdm-middle-east.com

info@tdm-middle-east.com

Features:

- SIP video telephone
- DC 12V powered.
- Stainless steel robust housing
- Full keypad available
- Wall mounting optional, with 4 X Tamper proof screws
- Access for RJ45 cable & power line from the back
- IP55-IP65 waterproof rating



TDM Middle East LLC
ADAFZ, Abu Dhabi, UAE

www.tdm-middle-east.com

info@tdm-middle-east.com

SIP Protocol

- GSM/PCMU/PCMA/OPUS
- G.7211-16000/G.7211-32000
- G.729/G.723
- Speex-16000/8000/32000
- ISAC-16000/32000
- AMR/ILBC
- SILK-8000/12000/16000/24000
- CODEC2
- H.263-1998/VP8/H.264

Specification

- Standard SIP 2.0 (RFC3261) protocol
- Power Consumption: 16W
- Heat dissipation: 64 BTU/Hr
- Adapter Input: DC 12V
- WAN Port: 10/100Base- T RJ-45 for LAN, Auto MDIX
- LAN Port: 10/100Base- T RJ-45 for PC, Auto MDIX
- Support DHCP get IP on WAN port.
- connectors, Cat5e or better
- Support configuration by web interface
- The video support H.264, H.263 encoding
- Support Echo cancellation
- Flexible hardware design, rich peripheral interface
- Operating system: Android 5.1
- CPU: Quad-Core ARM Cortex A17 CPU@1.8GHz
- RAM: LPDDR3 1G
- ROM: EMMC 8G
- USB interface: Micro USB OTG2.0
- HDMI: V2.0 and support 4K HD output
- RJ45 interface: IEEE802.3af
- Speaker: 8Ω 10W
- Operating: -30°C to +65°C
- Storing: -40°C to +75°C



TDM Middle East LLC
ADAFZ, Abu Dhabi, UAE

Display Specification

The display is a 7" colour TFT-LCD (Thin Film Transistor Liquid Crystal Display) module. This model is composed of a TFT LCD panel, a driving circuit, and a back light, and has a 7.0 (16:9) inch diagonally measured active display area with WSVGA (1024 horizontal by 600 vertical pixel) resolution in a stripe arrangement. Display 16M colours by 8-bit R.G.B signal input.

Item	Specification	Unit
<i>Outline Dimension</i>	164.00 x 97.00 x 2.60 (Typ.)	mm
<i>Display Area</i>	154.2144 (H) x 85.920 (W)	mm
<i>Number of Pixels</i>	1024 (H) x 600 (W)	Pixels
<i>Pixel Pitch</i>	0.1506 (H) x 0.1432 (W)	mm
<i>Pixel Arrangement</i>	RGB Vertical Stripe	
<i>Display Mode</i>	Normally White TN	
<i>Surface Treatment</i>	Hard coating with DWV Film	Colours
<i>Back-light</i>	White LED	
<i>System Interface</i>	MIPI	
<i>NTSC</i>	50 (Typ.)	%
<i>Viewing Direction</i>	6' Clock	

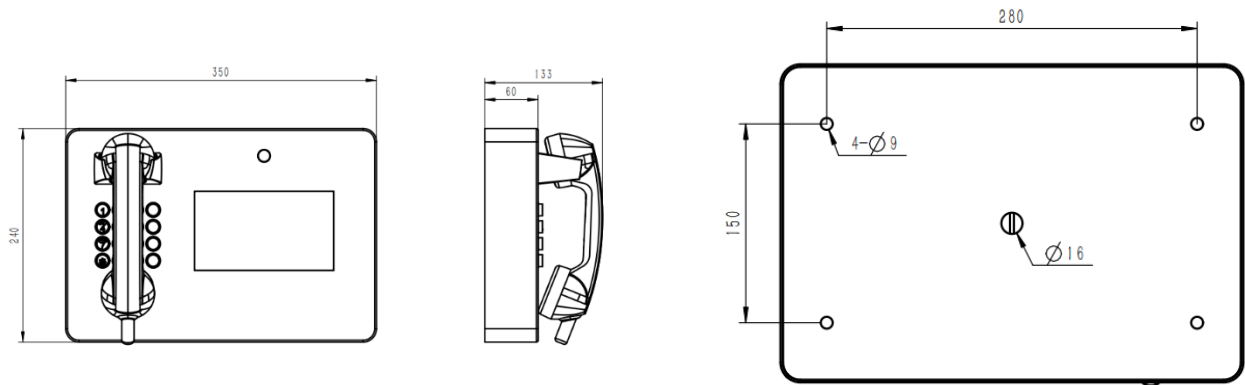
Camera Specifications

- Photosensitive film: OV9732 (1/4")
- The most effective pixel: 1280 (H) *720 (V)
- Sensitivity: 600mV/Lux-sec
- Pixel Size: 3µm x3µm
- Image area: 3888µmx2208µm
- Interface type: USB2.0 High Speed
- Lens Specifications Size: 1/4, Iris: F2.5, Focus: 2.5mm, FOV: 80Degree
- Light board power supply interface: support 2P-2.0mm socket
- Power supply and interface: USB BUS POWER
- The system supports:
 - Win XP/Vista/Win7/Win8 / Linux with UVC (above linux-2.6.26)
 - MAC-OS X 10.4.8 or later/Android 4.0 or above with UVC



TDM Middle East LLC
ADAFZ, Abu Dhabi, UAE

Dimensions



Package

- Unit size: 350mm x 240mm x 60mm
- Carton size: 500mm x 320mm x 70mm
- Packaging materials: pearl cotton, carton
- Net weight: 9.5kg Gross weight: 10kg



TDM Middle East LLC
ADAFZ, Abu Dhabi, UAE