

JR301-SC-Video

SIP Video Hands-Free Intercom



The Hands-free Video intercom is designed to meet the needs of clients who experience loss through vandalism. Ideal for parking lots, lifts/elevators, hotels, doorways, railway/metro platforms, hospitals, police stations, ATM machines, stadiums, outside buildings etc.

Housed in stainless steel and manufactured to a high standard, these telephones offer increased resistance to vandalism, and ensure that the primary function of communications is maintained at all times.



TDM Middle East LLC
Regional Office: ADAFZ, Abu Dhabi, UAE
Headquarters: Crawley, UK, RH10 9PD

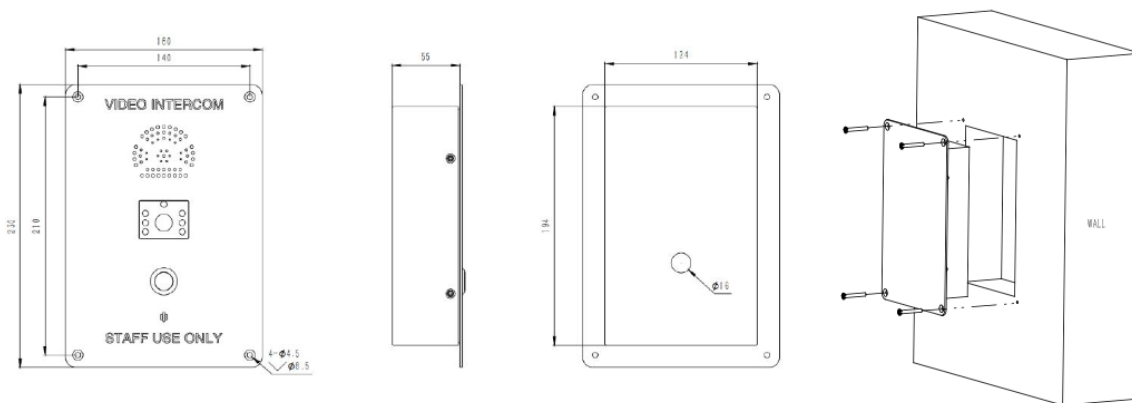
www.tdm-middle-east.com

info@tdm-middle-east.com

SIP	
Power supply	PoE powered or 12V DC powered
Power adapter	100~240VAC 50~60Hz / 12V DC
Power consumption	8W
SIP protocol	SIP 2.0 (RFC3261)
Network port parameters	WAN Port: 10/100Base-T RJ-45 for LAN, Auto MDIX, LAN Port: 10/100Base-T RJ-45 for PC, Auto MDIX
Communication mode	Full duplex
Ringing volume	90~95 dB (A) @ 1 meter
SIP Protocol	
GSM/PCMU/PCMA/OPUS	G.7211-16000/G.7211-32000/G.729/G.723
Speex-16000/8000/32000	ISAC-16000/32000
AMR/ILBC	SILK-8000/12000/16000/24000
CODEC2	H.263-1998/VP8/H.264

Specification			
Supports DHCP get IP on WAN port			
Supports configuration by web interface			
Supports echo cancellation			
Connectors, cat5e or better			
The video support H.264, H.263 encoding			
Flexible hardware design, rich peripheral interface			
Heat dissipation	32 BTU/Hr	CPU	Quad-core ARM cortex A17 CPU@1.8GHz
Operating system	Android 5.1	USB interface	Micro usb OTG2.0
RAM: LPDDR3 1G	ROM: EMMC 8G	RJ45 interface	IEEE802.3af
HDMI	V2.0 and support 4K HD output	Induction loop	Effective distance 60~120 cm
Speaker	8Ω 2W	Operating: -30°C to +65°C	Storing: -40°C to +75°C

Camera Specifications			
Photosensitive film	OV9732 (1/4")	The most effective pixel	1280 (H) *720 (V)
Sensitivity	600mV/Lux-sec	Pixel size	3μm x3μm
Image area	3888μmx2208μm	Interface type	USB2.0 High Speed
Light board power supply interface	Support 2P-2.0mm socket	Power supply and interface	USB BUS POWER
Lens specifications size: 1/4, Iris: F2.5, Focus: 2.5mm, FOV: 80Degree			
The system supports: Win XP/Vista/Win7/Win8 / Linux with UVC (above linux-2.6.26) MAC-OS X 10.4.8 or later/Android 4.0 or above with UVC			



Package	
Unit size	230*160*55 (mm)
Shipping dimensions	340*235*165 (mm)
Packaging materials	Foam padding, carton
Weight	Gross weight: 3 kg / Net weight: 2.8 kg

TDM Middle East LLC
Regional Office: ADAFZ, Abu Dhabi, UAE
Headquarters: Crawley, UK, RH10 9PD