

JR314-SC



SIP - Hands-Free Intercom



The Hands-free Telephone is designed to meet the needs of clients who experience loss through vandalism. Ideal for parking lots, lifts/elevators, hotels, doorway, railway/metro platforms, hospitals, police stations, ATM machines, stadiums, outside buildings etc.

Housed in cold rolled steel box and manufactured to a high standard, these telephones offer increased resistance to vandalism, and ensure that the primary function of communications is maintained at all times.

Extremely easy to install. The cable entrance is on the back of the phone to prevent artificial damage.



TDM Middle East LLC
ADAFZ, Abu Dhabi, UAE

www.tdm-middle-east.com

info@tdm-middle-east.com

Features:

- VoIP-SIP phone
- Robust housing, constructed of cold rolled steel
- Vandal resistant metal button
- Hands free operation
- Flush mounting, simple installation
- Weather proof protection: up to IP65
- Single button auto-dial with remote programming
- External power supply or PoE (SIP-VoIP)
- RJ45 port for SIP phone

SIP-VoIP TECHNICAL SPECIFICATIONS

- Power:
 - 12-24V DC, or POE: IEEE802.3af (Optional)
- Power Consumption:
 - Idle: 1.5W/ Active: 1.8W
- Port:
 - WAN: 10/100Base- T RJ-45 for LAN, Auto MDIX
 - LAN: 10/100Base- T RJ-45 for PC, Auto MDIX

Network Features

- WAN/LAN: support Bridge mode
- Support static IP address
- Support DHCP get IP on WAN port
- Support VLAN
- Support web config

Voice Features

- Support SIP 2.0 (RFC3261)
- Codec: G.711A/u, G.7231 high/low, G.729, G.722
- Echo cancellation: Support G.168 and hand-free can support 96ms
- Supports full duplex.
- SIP support SIP domain, SIP authentication (none, basic, MD5), DNS name of server, peer to peer
- DTMF: SIP info, DTMF Relay, RFC2833
- Call control feature: Flexible dial map, support hot-line

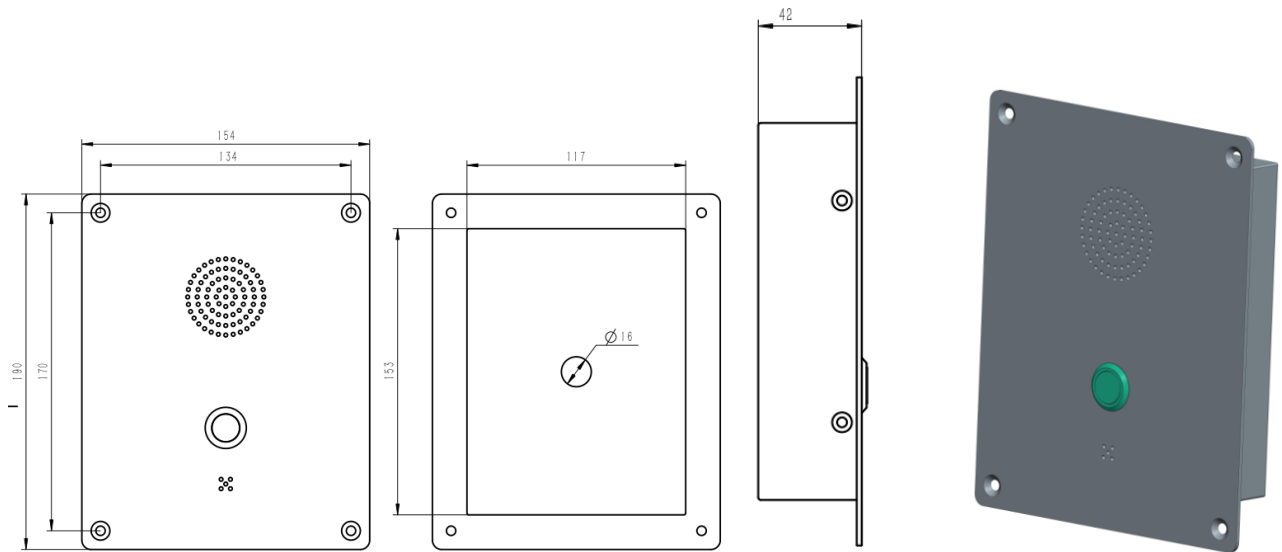


TDM Middle East LLC
ADAFZ, Abu Dhabi, UAE

Specification

- **Casing Material**
- Cold rolled steel body
- **Colors**
- RED, YELLOW, GREY
- **Temperature**
- Operating: -30°C to +70°C
- Storing: -40°C to +75°C
- **Weather Resistance**
- IP54-IP65
- **Ringing Tone**
- Shrill warble tone 90dBA @ 1 metre typical(SIP)
- **M.T.B.F.**
- Calculated to have an M.T.B.F. in excess of 50,000 hours using
- **Weight**
- Up to 2 kg depending on the option

Dimensions



Package

- unit size: 190 *154 *42(mm)
- Carton size:220 *180 *60(mm)
- Packaging materials: pearl cotton, carton
- Net weight: 1.5KG
- Gross weight: 2KG



TDM Middle East LLC
ADAFZ, Abu Dhabi, UAE

www.tdm-middle-east.com

info@tdm-middle-east.com