

JREX-WL 02

Explosion-proof Audible and Visual Alarm



The JREX-WL-02 can be used as an additional signal device for explosion-proof telephone systems, gas detectors systems, and safety alarm systems. It is also suitable for use in public broadcast warning or alarm systems, and can function alone as a special warning light or aviation obstruction light.

It is ideal for applications in industries such as petroleum and petrochemical, electricity, nuclear power, natural gas, chemical industry, refineries, port ships, aircraft routes, oil drilling platforms, and marine facilities

- With LED long-on, flashing, rotating and xenon flashing functions
- With light sensor switch function (light level can be set)
- ABS material for lamp cover, corrosion-resistant, high temperature resistant
- Aluminum alloy or stainless steel housing, capable of withstanding strong impacts and collisions
- Sound and light integrated structure design
- Easy to install, maintain, and configure parameters on site ; easy to replace the lamp head
- Protection rating IP66
- ATEX, IECEx explosion-proof certification

Explosion Proof Rating:

Ex d ib IIC T6 Gb/Ex tD A21 IP66 T80°C



TDM Middle East LLC
Regional Office: ADAFZ, Abu Dhabi, UAE
Headquarters: Crawley, UK, RH10 9PD

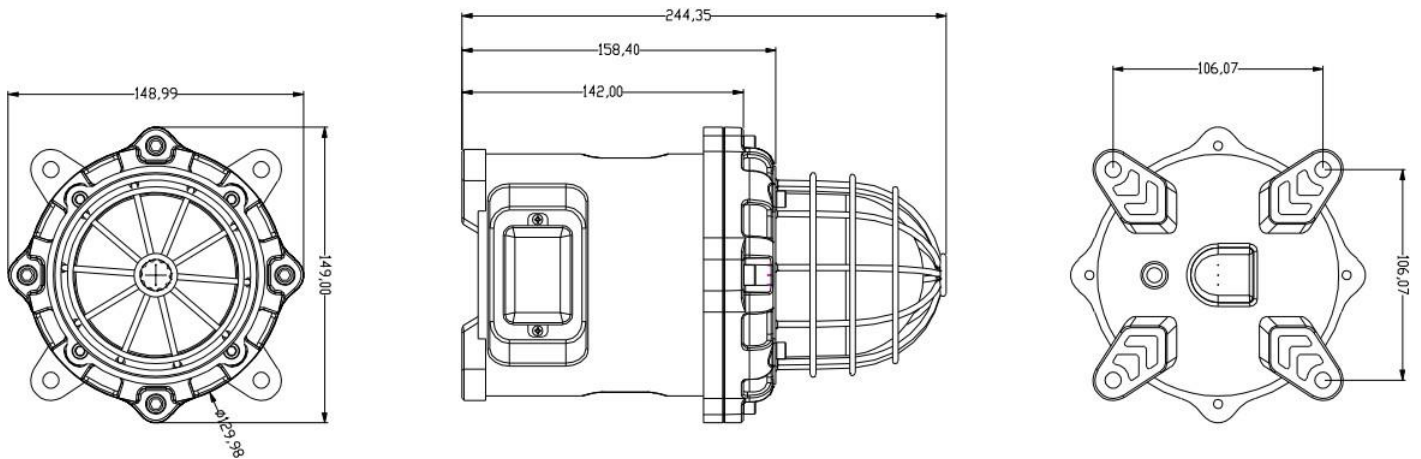
www.tdm-middle-east.com

info@tdm-middle-east.com

Operating voltage	DC12V	
Power frequency	50Hz-60Hz	
Power consumption	10W	
Light source (optional)	LED reflector rotating type; Rotation speed: 120-140 RPM	1Hz flash (60 fpm) 1.5Hz flash (90 fpm) 2Hz flash (120 fpm) Double strike flash 50ms on, 150ms off x 2, 600ms off
	LED flashing & strobe type (Power: 5W, 10W)	Triple strike flash 150ms on, 150ms off x 3, 600ms off High Power Steady Low Power Steady LED service life ≥ 60,000 hours
	Xenon strobe type (Power: 5J, 10J, 15J, 20J)	1Hz flash (60 fpm)
Alarm sound	A/B/C/D	Optional
Sound level	100dB	
Warning mode	Audible and visual, rotating beacon	
Housing material	Aluminum alloy or SUS304 stainless steel	Optional
LED lamp cover	ABS	
Protection rating	IP66	
Operating temperature	-30°C ~ 70°C	
Operating humidity	10% ~ 95% RH (Non-condensing)	

Product Dimensions:

149* 149* 244.35 mm, Packaged in carton box



TDM Middle East LLC
Regional Office: ADAFZ, Abu Dhabi, UAE
Headquarters: Crawley, UK, RH10 9PD

www.tdm-middle-east.com

info@tdm-middle-east.com



TDM Middle East LLC
Regional Office: ADAFZ, Abu Dhabi, UAE
Headquarters: Crawley, UK, RH10 9PD

www.tdm-middle-east.com

info@tdm-middle-east.com